

HD HYUNDAI CONSTRUCTION EQUIPMENT

R35Z-9A SPECIFICATIONS

Net Power 23.7 hp
(17.7 kW) at
2,200 rpm

Operating Weight
(cab / canopy)
3,840 kg (8,470 lb) /
3,550 kg (7,800 lb)

**Bucket Breakout
Force**
(ISO) 3,130 kgf /
6,900 lbf

**Arm Digging
Force**
(ISO) 1,990 kgf /
4,390 lbf

ENGINE

MODEL	YANMAR 3TNV88F		
Type	Water-cooled, 4-cycle diesel 3 cylinders in line, direct injection, low emission		
Rated flywheel horsepower	SAE	J1995 (gross)	24.4 HP (18.2 kW) at 2,200 rpm
		J1349 (net)	23.7 HP (17.7 kW) at 2,200 rpm
Max. torque	9.1 kgf-m (79 lbf-ft) at 1,320 rpm		
Bore X stroke	88 mm (3.46") x 90 mm (3.54")		
Piston displacement	1,642 cc (100 in ³)		
Battery	1 x 12V x 70 Ah		
Starting motor	12 V - 2.3 kW		
Alternator	12 V - 55 Amp		

HYDRAULIC SYSTEM

MAIN PUMP

Type	Variable displacement piston pumps + gear pump
Max. flow	2 x 37.4 ℓ/min (2 x 9.9 gpm) + 23.1 ℓ/min (6.1 gpm) at 2,200 rpm
Sub-pump for pilot circuit (Gear Pump)	23.1 / 9.9 ℓ/min (6.1 / 2.6 gpm)

CROSS-SENSING AND FUEL- SAVING PUMP SYSTEM

HYDRAULIC MOTORS

Travel	Two-speed axial piston motor with counter balance valve and parking brake
Swing	Axial piston motor with automatic brake

RELIEF VALVE SETTING

Implement circuits	230 kgf/cm ² (3,560 psi)
Travel circuit	230 kgf/cm ² (3,270 psi)
Swing circuit	200 kgf/cm ² (2,845 psi)
Pilot circuit	40 kgf/cm ² (570 psi)
Service valve	Installed

HYDRAULIC CYLINDERS

No. of cylinders bore X stroke	Boom: 85 x 540 mm (3.3" x 21.3")
	Arm: 80 x 585 mm (3.1" x 23.0")
	Bucket: 70 X 510 mm (2.8" x 20.1")
	Boom swing: 80 X 400 mm (3.1" x 15.7")
	Dozer blade: 95 X 152 mm (3.7" x 6.0")

TRAVEL SYSTEM

Drive method	Full hydrostatic type
Drive motor	Axial piston motor, in-shoe design
Reduction system	2-stage planetary
Max. drawbar pull	3,100 kgf (6,835 lbf)
Max. travel speed (high) / (low)	4.2 km/hr (2.6 mph) / 2.5 km/hr (1.6 mph)
Gradeability	30° (58%)
Parking brake	Multi-wet disc

CONTROLS

Pilot-pressure-operated joysticks and pedals with detachable lever provide almost effortless and fatigueless operation.

Pilot control	Two joysticks with one safety lever (LH): Arm swing, Boom swing (RH): Boom and bucket with horn (ISO)
Traveling and steering	Two levers with pedals
Engine throttle	Electric, dial type

SWING SYSTEM

Swing motor	Axial piston motor
Swing reduction	2-stage planetary
Swing bearing lubrication	Grease-bathed
Swing brake	Multi wet disc
Swing speed	9.5 rpm

COOLANT AND LUBRICANT CAPACITY

(Refilling)	liter	gal
Fuel tank	40.0	10.5
Engine coolant	5.5	1.5
Engine oil	6.7	1.8
Hydraulic tank	37.0	9.8
Hydraulic system	60	15.9

WEIGHT (APPROXIMATE)

Operating weight, including 2,500 mm (8' 12") boom, 1,300 mm (4' 3") arm, SAE heaped 0.11 m³ (0.14 yd³) excavator bucket, 300 mm (11.8") rubber track, lubricant, coolant, full fuel tank, hydraulic tank, 560 kg (1,230 lb) counterweight and the standard equipment.

Operating weight (canopy)	3,550 kg (7,800 lb)
Ground pressure (canopy)	0.33 kg/cm ² (4.69 psi)

UNDERCARRIAGE

X-leg type center frame is integrally welded with reinforced box-section track frames. The undercarriage includes lubricated rollers, track adjusters with shock absorbing springs and sprockets, and track chain with triple grouser shoes.

Center frame	X-leg type
Track frame	Pentagonal box type
No. of track shoes on each side	44
No. of upper rollers on each side	1
No. of lower rollers on each side	4

R35Z-9A Lifting Capacity ISO Condition 2



Rating over front



Rating over side or 360 degrees

Boom: 2.50 m (8' 2") / Arm: 1.30 m (4' 3") / Bucket: 0.11 m³ (0.14 yd³) SAE heaped / Dozer down / Rubber track: 300 mm (12") / Cabin Type / Counterweight: 560 kg (1,230 lb)

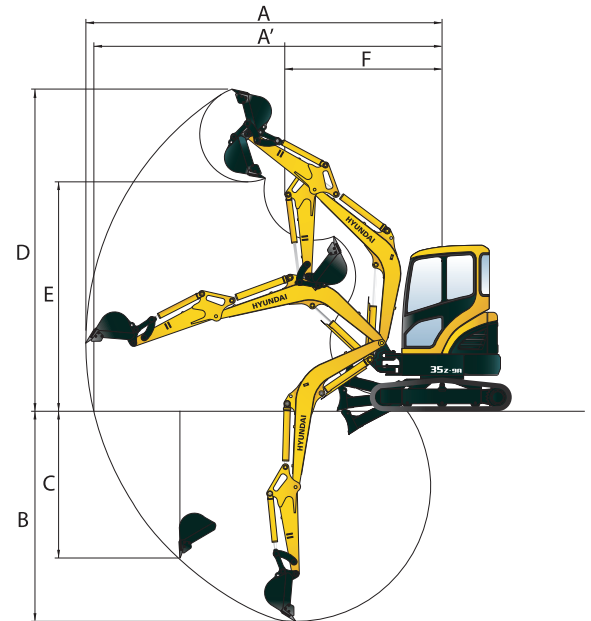
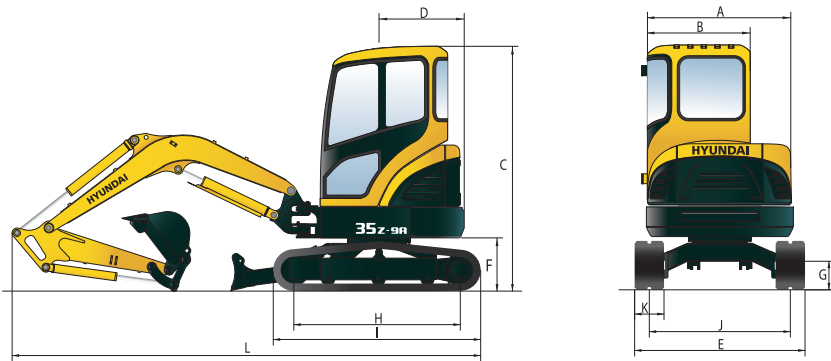
Lift-point height m (ft)		Lift-point radius								At max. reach		
		1.0 m (3.3 ft)		2.0 m (6.6 ft)		3.0 m (9.8 ft)		4.0 m (13.1 ft)		Capacity	Reach	
												m(ft)
4.0 m	kg									*670	*670	3.12
13.1 ft	lb									*1,470	*1,470	(10.2)
3.0 m	kg							*620	590	*630	580	4.04
9.8 ft	lb							*1,370	1,300	*1,380	1,280	(13.3)
2.0 m	kg					*790	*790	*650	580	*630	480	4.48
6.6 ft	lb					*1,730	*1,730	*1,430	1,280	*1,390	1,070	(14.7)
1.0 m	kg					*1,060	850	*740	560	*650	450	4.61
3.3 ft	lb					*2,340	1,870	*1,620	1,230	*1,430	1,000	(15.1)
0.0 m	kg			*1,260	*1,260	*1,190	810	*790	540	*670	470	4.46
0.0 ft	lb			*2,770	*2,770	*2,620	1,800	*1,740	1,200	*1,480	1,030	(14.6)
-1.0 m	kg	*1,930	*1,930	*1,890	1,550	*1,110	810			*690	550	4.00
-3.3 ft	lb	*4,250	*4,250	*4,160	3,430	*2,440	1,790			*1,520	1,210	(13.1)
-2.0 m	kg			*1,210	*1,210	*670	*670			*650	*650	3.03
-6.6 ft	lb			*2,670	*2,670	*1,490	*1,490			*1,440	*1,440	(9.9)

Notes: 1. Lifting capacities are based on ISO 10567.
2. Lifting capacities of the 9A Series do not exceed 75% of tipping load with the machine on firm, level ground or 87% of full hydraulic capacity.

3. The lift-point is a hook (standard equipment) located on the back of the bucket.
4. (*) indicates load limited by hydraulic capacity.

DIMENSIONS & WORKING RANGE

R35Z-9A DIMENSIONS



R35Z-9A DIMENSIONS

		mm (ft-in)				
A	Overall width of upper structure	1,500 (4' 11")	G	Ground clearance	290 (0' 11")	
B	Overall width of cab	1,050 (3' 5")	H	Tumbler distance	1,700 (5' 7")	
C	Overall height of cab	2,500 (8' 2")	I	Track length	2,130 (7' 10")	
D	Tail swing radius	870 (2' 10")	J	Track gauge	1,440 (4' 9")	
E	Overall width	1,740 (5' 9")	K	Track shoe width	300 (1' 0")	
F	Clearance under counterweight	540 (1' 9")	L	Overall length	1,300-mm Arm	4,790 (15' 9")
					1,600-mm Arm	4,815 (15' 10")

R35Z-9A WORKING RANGE

		mm (ft-in)	
Boom length		2,500 (8' 2")	
Arm length		1,300 (4' 3")	1,600 (5' 3")
A	Max. digging reach	5,315 (17' 5")	5,605 (18' 5")
A'	Max. digging reach on ground	5,200 (17' 1")	5,495 (18' 0")
B	Max. digging depth	3,135 (10' 3")	3,440 (11' 3")
C	Max. vertical wall digging depth	2,190 (7' 2")	2,565 (8' 5")
D	Max. digging height	4,810 (15' 9")	5,010 (16' 5")
E	Max. dumping height	3,425 (11' 3")	3,615 (11' 10")
F	Min. swing radius	2,350 (7' 9")	2,330 (7' 8")

STANDARD EQUIPMENT

Cabin TOPS ISO 12117
(ROPS ISO 12117-2)
FOG ISO 10262 Level I
(FOPS ISO 3449 Level I)
All-weather steel cab with all-around visibility
Safety glass windows
Sliding fold-in front window
Sliding side window
Lockable door
Accessory box
Air conditioner and heater
Centralized monitoring
Gauges
Fuel level gauge
Engine coolant temperature gauge

Warning indicators
Quick clamp
Engine oil pressure
Engine coolant temperature
Preheat
Low battery
Air cleaner clogging
Fuel level
Door and locks, universal key
Mechanical suspension seat with seat belt
Radio / USB Player
Console box tilting system (LH)
One front working lights
Electric horn
Battery (1 x 12 V x 70 AH)
Battery master switch
Automatic swing brake

Removable reservoir tank
Water separator, fuel line
Mono boom (2.5 m / 8' 2")
Arm (1.3 m / 4' 3")
Rubber track shoes (300 mm / 12")
Double acting piping (Clamshell, etc)
Auto idle function
Universal start key
Emergency stop switch
Auto travel shift down travel motor
Cabin lamp
Travel alarm
Quick coupler with piping
Heater and defroster
Pattern-change lever
Hyundai bucket (0.11 m³ / 0.14 yd³)

OPTIONAL EQUIPMENT

Canopy TOPS ISO 12117
(ROPS ISO 12117-2)
FOG ISO 10262 Level I
(FOPS ISO 3449 Level I)

Accumulator
Steel track shoes (300 mm / 12")
Long Arm (1.6 m)
Additional counterweight (150 kg / 330 lb)

RCV with proportional control switch
Rotating attachment piping
Safety lock valve

Specifications and features are subject to change without notice.
Pictures may show options other than standard equipment.



6100 Atlantic Blvd., Norcross, GA 30071
TEL (678) 823-7777 FAX (678) 823-7778



Printed in U.S.A.

building a
comfortable
tomorrow