

# SPECIFICATIONS

## HX380AL

Powered By Cummins Performance Series Engine

**Net Power**  
359 HP (268kW)  
at 2,100 rpm

**Standard Bucket**  
1.62m<sup>3</sup> (2.12 yd<sup>3</sup>)

**Operating Weight**  
38,940 (88,053) -  
41,300 (91,051)



### ENGINE

|                         |  |
|-------------------------|--|
| Maker / Model           | Cummins / L9   |
| Type                    | Tier 4F/ Stage V Emission Certified, 6 cylinder diesel engine with No Manual Regeneration. |
| Gross Power (SAE J1995) | 365 HP (272kW) at 2,100 rpm  |
| Net Power (SAE J1349)   | 359 HP (268kW) at 2,100 rpm  |
| Max. Power              | 380 HP (283kW) at 1,800 rpm  |
| Max. Torque             | 1,324 lb-ft (1,795 N-m) at 1,400 rpm   |
| Piston Displacement     | 8,900 cc ( 543 cu in)  |

### HYDRAULIC SYSTEM

#### MAIN PUMP

|                            |  |
|----------------------------|--|
| Type                       | Variable displacement tandem axis piston pumps |
| Max. Flow                  | 2x340 lpm<br>(89.8 U.S. gpm)                   |
| Sub-Pump For Pilot Circuit | Gear pump                                      |

Cross-sensing and fuel saving pump system.

#### AUXILIARY PRESSURE

|          |                |                       |
|----------|----------------|-----------------------|
| 2 Way    | Flow (l/min)   | 26.4 gpm / (100 lpm)  |
|          | Pressure (bar) | 2,611 psi / (180 bar) |
| Rotating | Flow (l/min)   | 15.9 gpm / (60 lpm)   |
|          | Pressure (bar) | 4,062 psi / (280 bar) |

#### HYDRAULIC MOTORS

|        |  |
|--------|--|
| Travel | Variable displacement axial piston motor |
| Swing  | Axial piston motor                       |

#### RELIEF VALVE SETTING

|                                    |                                   |
|------------------------------------|-----------------------------------|
| Implement Circuits                 | 330kgf/cm <sup>2</sup> (4,693psi) |
| Travel                             | 360kgf/cm <sup>2</sup> (5,120psi) |
| Power Boost<br>(Boom, Arm, Bucket) | 360kgf/cm <sup>2</sup> (5,120psi) |
| Swing Circuit                      | 290kgf/cm <sup>2</sup> (4,125psi) |
| Pilot Circuit                      | 40 kgf/cm <sup>2</sup> (570 psi)  |
| Service Valve                      | Installed                         |

#### HYDRAULIC CYLINDERS

|                                  |                       |
|----------------------------------|-----------------------|
| No. of Cylinder<br>Bore X Stroke | Boom : Ø160x1500 mm   |
|                                  | Arm : Ø170x1760 mm    |
|                                  | Bucket : Ø150x1295 mm |

#### DRIVES & BRAKES

|                                |                                     |
|--------------------------------|-------------------------------------|
| Drive Method                   | Fully hydrostatic type              |
| Drive Motor                    | Axial piston motor, in-shoe design  |
| Reduction System               | Planetary reduction gear            |
| Max. Drawbar Pull              | 32,517kgf(71,688lbf)                |
| Max. Travel Speed (High / Low) | 5.7km/hr(3.5mph) / 3.5km/hr(2.2mph) |
| Gradeability                   | 35° (70%)                           |
| Parking Brake                  | Multi wet disc                      |

#### CONTROL

Pilot pressure operated joysticks and pedals with detachable lever provide almost effortless and fatigueless operation.

|                        |   |
|------------------------|---|
| Pilot Control          | Two joysticks with one safety lever (LH) : Swing and arm, Boom and bucket |
| Traveling and Steering | Two levers with pedals  |
| Engine Throttle        | Electric, dial type   |

### OPERATING WEIGHT (APPROXIMATE)

Operating weight, including 6,500mm(21' 4") boom, 3,200mm(10' 6") arm, SAE heaped 1.62m<sup>3</sup>(2.12 yd<sup>3</sup>) bucket, lubricant, coolant, full fuel tank, full hydraulic tank, and all standard equipments.

#### OPERATING WEIGHT

| Shoes          |              | Operating Weight |                 | Ground Pressure             |
|----------------|--------------|------------------|-----------------|-----------------------------|
| Type           | Width mm(in) | kg (lb)          |                 | kgf / cm <sup>2</sup> (psi) |
| Triple Grouser | 600 (24")    | HX380AL          | 39,940 (88,053) | 0.70 (9.97)                 |
|                | 700 (28")    | HX380AL          | 40,390 (89,045) | 0.61 (8.64)                 |
|                | 800 (32")    | HX380AL          | 40,840 (90,037) | 0.54 (7.65)                 |
|                | 900 (36")    | HX380AL          | 41,300 (91,051) | 0.48 (6.88)                 |
| Double Grouser | 600 (24")    | HX380AL          | 40,360 (88,978) | 0.71 (10.07)                |

### SWING SYSTEM

|                           |                                       |
|---------------------------|---------------------------------------|
| Swing Motor               | Fixed displacement axial piston motor |
| Swing Reduction           | Planetary gear reduction              |
| Swing Bearing Lubrication | Grease-bathed                         |
| Swing Brake               | Multi wet disc                        |
| Swing Speed               | 10.4 rpm                              |

### COOLANT & LUBRICANT CAPACITY

|                                   | liter | US gal |
|-----------------------------------|-------|--------|
| Fuel Tank                         | 600   | 154.7  |
| Engine Coolant                    | 42    | 11.1   |
| Engine Oil                        | 30    | 7.9    |
| Swing Device                      | 11    | 2.9    |
| Final Drive (Each)                | 7.8   | 2.06   |
| Hydraulic System (Including Tank) | 414   | 106.7  |
| Hydraulic Tank                    | 210   | 54.1   |
| Def/Adblue®                       | 70    | 18.5   |

### UNDERCARRIAGE

The X-leg type center frame is integrally welded with reinforced box-section track frames. The undercarriage includes lubricated rollers, idlers, track adjusters with shock absorbing springs and sprockets, and a track chain with double or triple grouser shoes.

| Center Frame                       | X - Leg Type        |
|------------------------------------|---------------------|
| Track Frame                        | Pentagonal Box Type |
| No. of Shoes on Each Side          | 48 EA               |
| No. of Carrier Roller on Each Side | 2 EA                |
| No. of Track Roller on Each Side   | 9 EA                |
| No. of Rail Guard on Each Side     | 2 EA                |

### CAB NOISE LEVEL

Guaranteed noise level presented below can be differed depending on a range of factors such as operating condition, speed of a cooling fan, types of engine and so forth. Hearing protection shall be necessary if an operator is working in the improperly aintained cabin or exposed to a noisy environment by leaving doors and/or windows open. With cooling fan speed at maximum value:

|   |          |
|---|----------|
| Operator sound pressure level (ISO 6396:2008) | 70 dB(A) |
| Exterior sound power level (ISO 6395:2008)    | 98 dB(A) |

\* Distance of 15 m (49.2 ft), moving forward in second gear ratio

# SPECIFICATIONS HX380AL

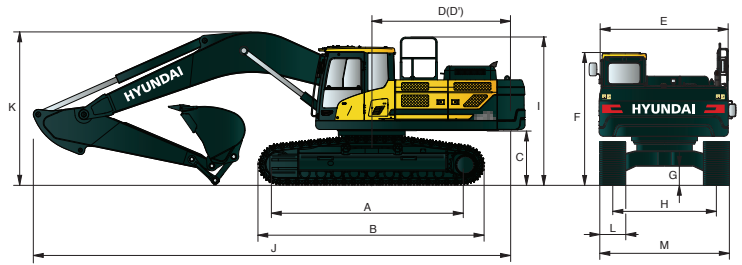
Powered By Cummins Performance Series Engine

## HX380AL DIMENSIONS

Unit: mm (ft-in)

**6.15 m (20' 2") / 6.5 m (21' 4"), BOOM and 2.5 m (8' 2"), 3.2 m (10' 6"),  
3.9 m (12' 10") ARM**

|    |  |                 |
|----|--|-----------------|
| A  | Tumbler distance                       | 4,340 (14' 3")  |
| B  | Overall length of crawler              | 5,270 (17' 3")  |
| C  | Ground clearance of counterweight      | 1,295 (4' 3")   |
| D  | Tail-swing radius                      | 3,620 (11' 11") |
| D' | Rear-end length                        | 3,555 (11' 8")  |
| E  | Overall width of upper structure       | 2,980 (9' 9")   |
| F  | Overall height of cab                  | 3,240 (10' 8")  |
| G  | Min. ground clearance                  | 550 (1' 10")    |
| H  | Track gauge                            | 2,740 (9' 0")   |
| I  | Overall Height of Guardrail w/ Grouser | 3,470 (11' 5")  |

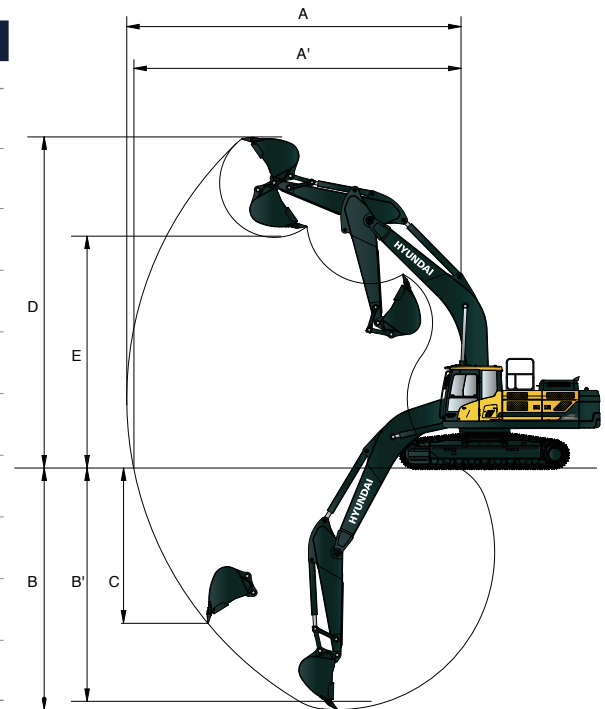


|   |                 |                 |                 |                 |                 |
|---|-----------------|-----------------|-----------------|-----------------|-----------------|
| Boom length                               | 6,150 (20' 2")  | 6,500 (21' 4")  |                 |                 |                 |
| Arm length                                | 2,500 (8' 2")   | 2,500 (8' 2")   | 3,200 (10' 6")  | 3,900 (12' 10") |                 |
| J Overall length                          | 11,100 (36' 5") | 11,450 (37' 7") | 11,400 (37' 5") | 11,400 (37' 5") |                 |
| K Overall height of boom                  | 3,830 (12' 7")  | 3,740 (12' 3")  | 3,630 (11' 11") | 3,740 (12' 3")  |                 |
| L Track shoe width                        | 600 (2' 0")     | 600 (1' 12")    | 700 (2' 4")     | 800 (2' 7")     | 900 (2' 11")    |
| M Overall Width w/o Additional Foot Board | 3,340 (10' 11") | 3,340 (10' 11") | 3,440 (11' 3")  | 3,540 (11' 7")  | 3,640 (11' 11") |
|   | 2,990 (9' 10")  | 2,990 (9' 10")  | -               | -               | -               |

## HX380AL WORKING RANGE

Unit : mm (ft-in)

|                                    |                  |                  |                  |                  |
|------------------------------------|------------------|------------------|------------------|------------------|
| Boom length                        | 6,150 (20' 2")   | 6,500 (21' 4")   |                  |                  |
| Arm length                         | 2,500 (8' 2")    | 2,500 (8' 2")    | 3,200 (10' 6")   | 3,900 (12' 10")  |
| A Max. digging reach               | 10,300 (33' 10") | 10,650 (34' 11") | 11,160 (36' 7")  | 11,820 (38' 9")  |
| A' Max. digging reach on ground    | 10,060 (33' 0")  | 10,410 (34' 2")  | 10,930 (35' 10") | 11,620 (38' 1")  |
| B Max. digging depth               | 6,560 (21' 6")   | 6,820 (22' 5")   | 7,520 (24' 8")   | 8,220 (27' 0")   |
| B' Max. digging depth (8' level)   | 6,380 (20' 11")  | 6,640 (21' 9")   | 7,360 (24' 2")   | 8,080 (26' 6")   |
| C Max. vertical wall digging depth | 4,780 (15' 8")   | 5,030 (16' 6")   | 5,480 (28' 0")   | 6,300 (20' 8")   |
| D Max. digging height              | 10,000 (32' 10") | 10,330 (33' 11") | 10,270 (33' 8")  | 10,610 (34' 10") |
| E Max. dumping height              | 6,870 (22' 6")   | 7,190 (23' 7")   | 7,190 (23' 7")   | 7,500 (24' 7")   |
| F Min. swing radius                | 4,310 (14' 2")   | 4,490 (14' 9")   | 4,490 (14' 9")   | 4,350 (14' 3")   |



## HX380AL DIGGING FORCE

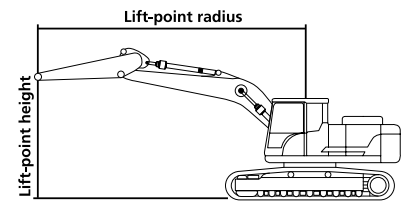
|                      |        |            |                 |                 |                 |                 |
|----------------------|--------|------------|-----------------|-----------------|-----------------|-----------------|
| Boom                 | Length | mm (ft-in) | 6,150 (20' 2")  |                 | 6,500 (21' 4")  |                 |
|                      | Weight | kg (lb)    | 3,750 (8,270)   |                 | 3,850 (8,490)   |                 |
| Arm                  | Length | mm (ft-in) | 2,500 (8' 2")   | 3,200 (10' 6")  |                 | 3,900 (12' 10") |
|                      | Weight | kg (lb)    | 1,960 (4,320)   | 1,960 (4,320)   | 2,120 (4,670)   | 2,190 (4,830)   |
| Bucket Digging Force | SAE    | kN         | 228.5 (249.3)   | 201.0 (219.3)   | 201.0 (219.3)   | 201.0 (219.3)   |
|                      |        | kgf        | 23,300 (25,420) | 20,500 (22,360) | 20,500 (22,360) | 20,500 (22,360) |
|                      |        | lbf        | 51,370 (56,040) | 45,190 (49,300) | 45,190 (49,300) | 45,190 (49,300) |
|                      | ISO    | kN         | 259.9 (283.5)   | 228.5 (249.3)   | 228.5 (249.3)   | 228.5 (249.3)   |
|                      |        | kgf        | 26,500 (28,910) | 23,300 (25,420) | 23,300 (25,420) | 23,300 (25,420) |
|                      |        | lbf        | 28,420 (63,740) | 51,370 (56,040) | 51,370 (56,040) | 51,370 (56,040) |
| Arm Crowd Force      | SAE    | kN         | 192.2 (209.7)   | 192.2 (209.7)   | 160.8 (175.4)   | 137.3 (149.7)   |
|                      |        | kgf        | 19,600 (21,380) | 19,600 (21,380) | 16,400 (17,890) | 14,000 (15,270) |
|                      |        | lbf        | 43,210 (47,130) | 43,210 (47,130) | 36,160 (39,440) | 30,860 (33,660) |
|                      | ISO    | kN         | 200.1 (218.2)   | 200.1 (218.2)   | 165.7 (180.8)   | 141.2 (154.1)   |
|                      |        | kgf        | 20,400 (22,250) | 20,400 (22,250) | 16,900 (18,440) | 14,400 (15,710) |
|                      |        | lbf        | 44,970 (49,050) | 44,970 (49,050) | 37,260 (40,650) | 31,750 (34,630) |

[ ] : Power Boost

Note : Boom weight includes arm cylinder, piping, and pin Arm weight includes bucket cylinder, linkage, and pin

# SPECIFICATIONS HX380AL

Powered By Cummins Performance Series Engine



## Lifting Capacity

Boom: 6500 mm (21' 3")

Arm: 3200 mm (10' 6")

Bucket: 1.62 m<sup>3</sup> (2.12 yd<sup>3</sup>) SAE heaped

Shoe 800 mm (31") triple grouser, CWT 7,000 kg (15,432 lb)

Capacities based on North American Standard Configuration in accordance with ISO condition 2 standard.

Rating over front

Rating over side or 360 degree

| Lift-point height<br>m (ft) |    | Lift-point radius |        |                |        |                 |        |                 |        |                 |        |                 |       | At max. reach |        |        |
|-----------------------------|----|-------------------|--------|----------------|--------|-----------------|--------|-----------------|--------|-----------------|--------|-----------------|-------|---------------|--------|--------|
|                             |    | 1.5 m (4.9 ft)    |        | 3.0 m (9.8 ft) |        | 4.5 m (14.8 ft) |        | 6.0 m (19.7 ft) |        | 7.5 m (24.6 ft) |        | 9.0 m (29.5 ft) |       | Capacity      |        | Reach  |
|                             |    |                   |        |                |        |                 |        |                 |        |                 |        |                 |       |               |        | m (ft) |
| 7.5 m                       | kg |                   |        |                |        |                 |        |                 |        | *7790           | *7790  |                 |       | *7050         | *7050  | 7.80   |
| 24.6 ft                     | lb |                   |        |                |        |                 |        |                 |        | *17170          | *17170 |                 |       | *15540        | *15540 | -25.6  |
| 6.0 m                       | kg |                   |        |                |        |                 |        |                 |        | *8000           | *8000  |                 |       | *6910         | 6650   | 8.64   |
| 19.7 ft                     | lb |                   |        |                |        |                 |        |                 |        | *17640          | *17640 |                 |       | *15230        | 14660  | -28.4  |
| 4.5 m                       | kg |                   |        |                |        | *12530          | *12530 | *9960           | *9960  | *8720           | 8200   | *8150           | 6100  | *7020         | 5910   | 9.17   |
| 14.8 ft                     | lb |                   |        |                |        | *27620          | *27620 | *21960          | *21960 | *19220          | 18080  | *17970          | 13450 | *15480        | 13030  | -30.1  |
| 3.0 m                       | kg |                   |        |                |        | *16270          | *16270 | *11750          | 10890  | *9660           | 7850   | *8570           | 5950  | *7360         | 5530   | 9.42   |
| 9.8 ft                      | lb |                   |        |                |        | *35870          | *35870 | *25900          | 24010  | *21300          | 17310  | *18890          | 13120 | *16230        | 12190  | -30.9  |
| 1.5 m                       | kg |                   |        |                |        | *17950          | 15530  | *13320          | 10320  | *10570          | 7530   | *9030           | 5780  | *7970         | 5400   | 9.43   |
| 4.9 ft                      | lb |                   |        |                |        | *39570          | 34240  | *29370          | 22750  | *23300          | 16600  | *19910          | 12740 | *17570        | 11900  | -30.9  |
| Ground Line                 | kg |                   |        |                |        | *18930          | 15130  | *14290          | 9960   | *11200          | 7310   | *9310           | 5670  | *8980         | 5510   | 9.19   |
|                             | lb |                   |        |                |        | *41730          | 33360  | *31500          | 21960  | *24690          | 16120  | *20530          | 12500 | *19800        | 12150  | -30.1  |
| -1.5 m                      | kg |                   |        | *12410         | *12410 | *19670          | 15070  | *14520          | 9830   | *11370          | 7210   |                 |       | *9570         | 5940   | 8.68   |
| -4.9 ft                     | lb |                   |        | *27360         | *27360 | *43360          | 33220  | *32010          | 21670  | *25070          | 15900  |                 |       | *21100        | 13100  | -28.5  |
| -3.0 m                      | kg | *15020            | *15020 | *20150         | *20150 | *18480          | 15220  | *13910          | 9880   | *10750          | 7270   |                 |       | *10070        | 6870   | 7.85   |
| -9.8 ft                     | lb | *33110            | *33110 | *44420         | *44420 | *40740          | 33550  | *30670          | 21780  | *23700          | 16030  |                 |       | *22200        | 15150  | -25.7  |
| -4.5 m                      | kg |                   |        | *21800         | *21800 | *15950          | 15610  | *11940          | 10160  |                 |        |                 |       | *10520        | 8990   | 6.57   |
| -14.8 ft                    | lb |                   |        | *48060         | *48060 | *35160          | 34410  | *26320          | 22400  |                 |        |                 |       | *23190        | 19820  | -21.6  |

### NOTES:

- Lifting capacities are based on ISO 10567.
- Lifting capacity of the HX Series does not exceed 75% of tipping load with the machine on firm, level ground or 87% of full hydraulic capacity.
- The Lift-point is bucket pivot mounting pin on the arm (without bucket mass).
- (\*) indicates load limited by hydraulic capacity.



| HYDRAULIC SYSTEM   |                    | STD        | OPT        |
|--|--------------------|------------|------------|
| <b>INTELLIGENT POWER CONTROL (IPC)</b>                     |                    |            |            |
| 3-Power Mode, 2-Work Mode, User Mode                       | ●                  |            |            |
| Variable Power Control                                     | ●                  |            |            |
| Pump Flow Control (Upgraded IPC)                           | ●                  |            |            |
| Attachment Mode Flow Control                               |                    |            | ●          |
| Engine Auto Idle   | ●                  |            |            |
| Engine Auto Shutdown Control                               | ●                  |            |            |
| <b>CAB &amp; INTERIOR</b>                                  |                    | <b>STD</b> | <b>OPT</b> |
| <b>ISO STANDARD CABIN</b>                                  |                    |            |            |
| Cabin Lights (LED)   |                    |            | ●          |
| Cabin Front Window Rain Guard                              |                    |            | ●          |
| Cabin Roof-Steel Cover                                     |                    |            | ●          |
| Rise-Up Type Windshield Wiper                              | ●                  |            |            |
| Radio / USB Player   | ●                  |            |            |
| Handsfree Mobile Phone System with USB                     | ●                  |            |            |
| 12 V Power Outlet (24 V DC to 12 V DC Converter)           | ●                  |            |            |
| Electric Horn  | ●                  |            |            |
| All-Weather Steel Cab with 360° Visibility                 | ●                  |            |            |
| Safety glass - Tempered glass                              | ●                  |            |            |
| Safety glass - Tempered glass with front laminated glass   |                    |            | ●          |
| Sliding Fold-In Front Window                               | ●                  |            |            |
| Sliding Side Window (LH)                                   | ●                  |            |            |
| Lockable Door  | ●                  |            |            |
| Hot & Cool Box   | ●                  |            |            |
| Storage Compartment & Ashtray                              | ●                  |            |            |
| Transparent Cabin Roof-Cover                               | ●                  |            |            |
| Sun Visor  | ●                  |            |            |
| Door and Cab Locks, One Key                                | ●                  |            |            |
| Mechanical Suspension Seat With Heater                     | ●                  |            |            |
| Pilot-Operated Slidable Joystick                           | ●                  |            |            |
| Console Box Height Adjust System                           | ●                  |            |            |
| <b>AUTOMATIC CLIMATE CONTROL</b>                           |                    |            |            |
| Air Conditioner & Heater                                   | ●                  |            |            |
| Defroster  | ●                  |            |            |
| <b>AUTOMATIC STARTING AID(AIR GRID HEATER) FOR WEATHER</b> |                    |            |            |
| Starting Aid (Air Grid Heater) for Cold Weather            | ●                  |            |            |
| <b>CENTRALIZED MONITORING</b>                              |                    |            |            |
| 8" LCD Display   | ●                  |            |            |
| Engine Speed or Trip Meter / Accel                         | ●                  |            |            |
| Engine Coolant Temperature Gauge                           | ●                  |            |            |
| Max Power  | ●                  |            |            |
| Low Speed / High Speed                                     | ●                  |            |            |
| Auto Idle  | ●                  |            |            |
| Overload warning with alarm                                |                    |            | ●          |
| Check Engine   | ●                  |            |            |
| Air Cleaner Clogging                                       | ●                  |            |            |
| Indicators   | ●                  |            |            |
| Eco Gauges   | ●                  |            |            |
| Fuel Level Gauge   | ●                  |            |            |
| Hyd. Oil Temperature Gauge                                 | ●                  |            |            |
| Fuel Warmer  | ●                  |            |            |
| Warnings   | ●                  |            |            |
| Communication Error  | ●                  |            |            |
| Low Battery  | ●                  |            |            |
| Clock  | ●                  |            |            |
| <b>SEAT</b>  |                    |            |            |
| Mechanical Suspension without Heater                       | ●                  |            |            |
| Mechanical Suspension with Heater                          |                    |            | ●          |
| Adjustable Air Suspension without Heater                   |                    |            | ●          |
| Adjustable Air Suspension with Heater                      |                    |            | ●          |
| <b>CABIN FOG (ISO 1,0262) LEVEL 2</b>                      |                    |            |            |
| FOG (Falling Object Guard)                                 | Front & Tops Guard |            | ●          |
|  | Top Guard          |            | ●          |
| <b>CABIN ROPS (ISO 1,2117-2)</b>                           |                    |            |            |
| ROPS (Roll Over Protective Structures)                     | ●                  |            |            |

| SAFETY  |   | STD        | OPT        |
|---|---|------------|------------|
| Battery Master Switch   | ● |            |            |
| Rearview Camera   |   |            | ●          |
| AAVM (Advanced Around View Monitoring)                              |   |            | ●          |
| Six Front Working Lights<br>(4 Boom Mounted, 2 Front Frame Mounted) | ● |            |            |
| Travel Alarm  | ● |            |            |
| Rear Work   |   |            | ●          |
| Beacon Lamp   |   |            | ●          |
| Automatic Swing Brake   | ● |            |            |
| Boom Holding System   | ● |            |            |
| Arm Holding System  | ● |            |            |
| Safety Lock Valve for Boom Cylinder with<br>Overload Warning Device |   |            | ●          |
| Safety Lock Valve for Arm Cylinder                                  |   |            | ●          |
| Swing Lock System   |   |            | ●          |
| Two Outside Rearview Mirror   | ● |            |            |
| <b>OTHERS</b>   |   | <b>STD</b> | <b>OPT</b> |
| Removable Clean-Out Dust Net for Cooler                             | ● |            |            |
| Removable Washer Tank   | ● |            |            |
| Fuel Pre-Filter(1,000hr)  | ● |            |            |
| Fuel Warmer   | ● |            |            |
| Self-Diagnostics System   | ● |            |            |
| Hi-Mate (Remote Management System)                                  |   |            | ●          |
| Batteries (2 × 12 V × 160 AH)                                       | ● |            |            |
| Fuel Filler Pump (50 l/min)   |   |            | ●          |
| Single-Acting Piping Kit (Breaker, etc.)                            |   |            | ●          |
| Double-Acting Piping Kit (Clamshell, etc.)                          |   |            | ●          |
| Rotating Piping Kit   |   |            | ●          |
| Quick Coupler Piping  |   |            | ●          |
| Quick Coupler   |   |            | ●          |
| Boom Floating Control   |   |            | ●          |
| One Pedal Straight Travel System                                    |   |            | ●          |
| Accumulator for Lowering Work Equipment                             | ● |            |            |
| Pattern Change Valve (2 Patterns)                                   |   |            | ●          |
| Tool Kit  |   |            | ●          |
| <b>BOOMS</b>  |   |            |            |
| 6.15 m, 20' 2"  |   |            | ●          |
| 6.5 m, 21' 4"   | ● |            |            |
| <b>ARMS</b>   |   |            |            |
| 2.5 m, 8' 2"  |   |            | ●          |
| 3.2 m, 10' 6"   | ● |            |            |
| 3.9 m, 12' 10"  |   |            | ●          |
| <b>UNDERCARRIAGE</b>  |   | <b>STD</b> | <b>OPT</b> |
| Lower Frame Under Cover (Additional)                                |   |            | ●          |
| Lower Frame Under Cover (Normal)                                    | ● |            |            |
| <b>TRACK SHOES</b>  |   |            |            |
| Triple Grousers Shoes (600 mm, 24")                                 | ● |            |            |
| Triple Grousers Shoe (700 mm, 28")                                  |   |            | ●          |
| Triple Grousers Shoe (800 mm, 32")                                  | ● |            |            |
| Triple Grousers Shoe (900 mm, 36")                                  |   |            | ●          |
| Double Grousers Shoe (600 mm, 24")                                  |   |            | ●          |
| Track Rail Guard  | ● |            |            |
| Full Track Rail Guard   |   |            | ●          |

- \* Standard and optional equipment may vary. Contact your Hyundai dealer for more information. The machine may vary according to International standards.
- \* The photos may include attachments and optional equipment that are not available in your area.
- \* Materials and specifications are subject to change without advance notice.
- \* All imperial measurements rounded off to the nearest pound or inch.